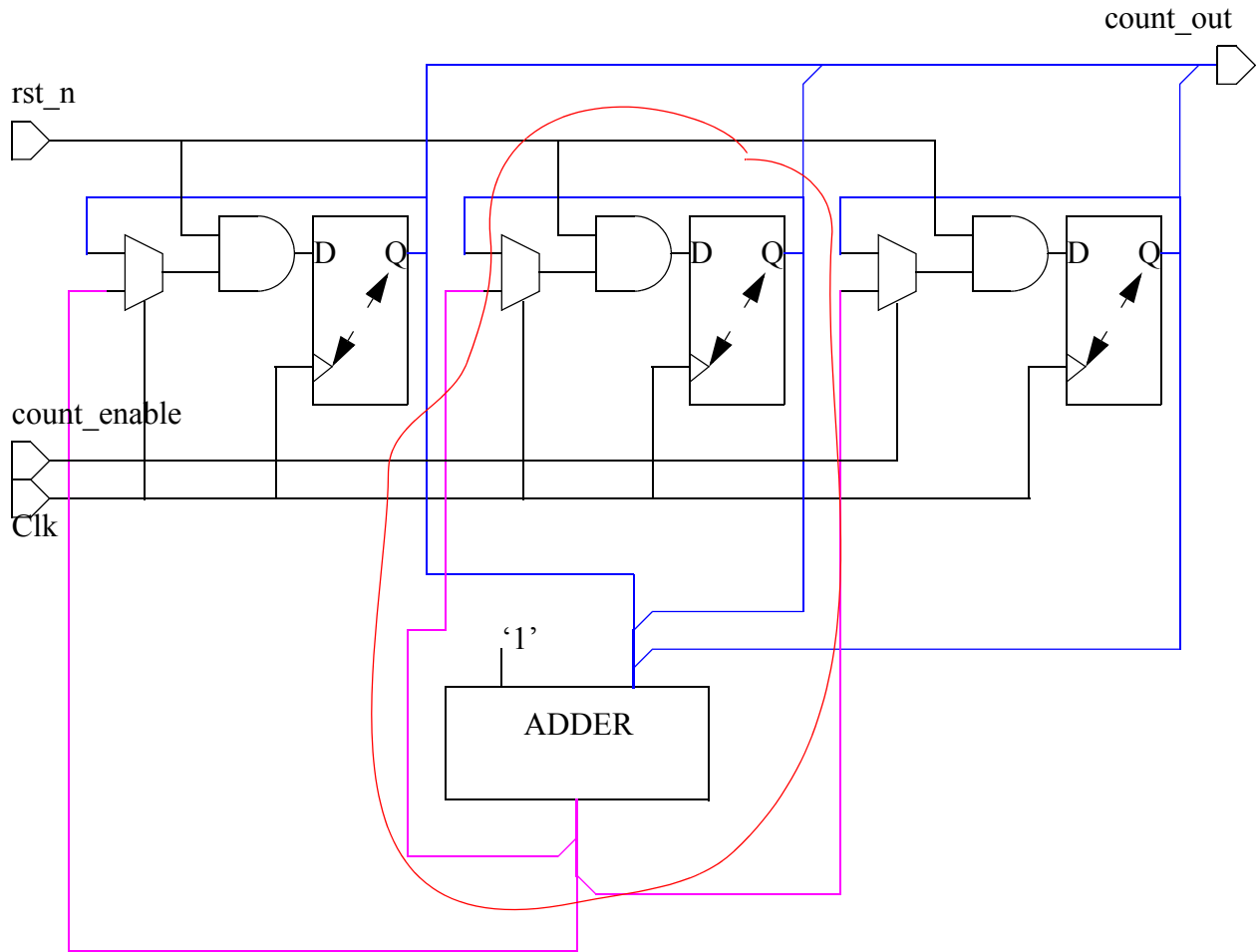


DFF t_{setup} = setup time of FF, t_{hold} = hold time of FF, $t_{\text{clk} \rightarrow \text{q}}$ = clk to q delay of FF



t_{adder} = delay through adder
 t_{and} = delay through AND gate
 t_{mux} = delay through MUX